

Device Leveling Feet



Device Leveling

LEVELING FEET

Furco Industrial offers you flexible choices on selecting your preferred leveling devices.

Going beyond what you can find in our range, you can have it custom made from Furco Industrial.



SPINDLE

&



FOOT PLATE



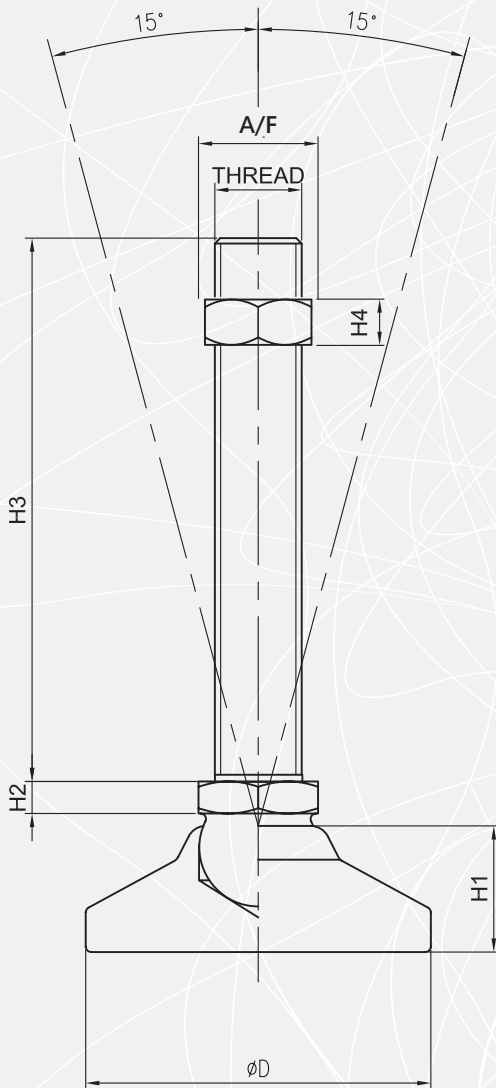
LEVELING

FEET

Specification

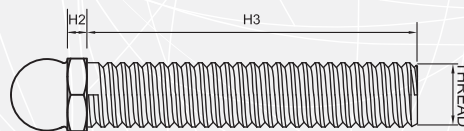
LEVELING FEET

STANDARD SWIVEL TYPE



Model	Base Plate		Spindle Size			Nut	
	ΦD	H1	Thread	H2	H3	H4	A/F
	19	8.7	#10-32	3.1	25.4	3.1	9.5
	25	11.5	#1/4-20	4.5	31.7	4	12.7
	31.5	15	#3/8-16	5.9	50.8	4	15.8
	31.5	15	#3/8-16	5.9	101.6	4	15.8
	31.5	15	M10x1.5P	5.9	50	4	15.8
	31.5	15	M10x1.5P	5.9	100	4	15.8
	31.5	15	#5/16-18	5.9	50.8	4	15.8
	47.6	20	#1/2-13	6.6	50.8	9.5	19
	47.6	20	#1/2-13	6.6	101.6	9.5	19
	47.6	20	M12x1.75P	6.6	50	9.5	19
	47.6	20	M12x1.75P	6.6	100	9.5	19
	63	23	#5/8-11	5.9	50.8	9.5	22
	63	23	#5/8-11	5.9	101.6	9.5	22
	63	23	M16x2P	5.9	50	9.5	22
	63	23	M16x2P	5.9	100	9.5	22
	76	25.5	#3/4-10	9.1	50.8	10.5	27
	76	25.5	#3/4-10	9.1	101.6	10.5	27
	76	25.5	M20x2.5P	9.1	50	10.5	27
	76	25.5	M20x2.5P	9.1	100	10.5	27
	101	30	#1-8	13	108	13.5	36
	101	30	#1-8	13	203.2	13.5	36
	101	30	M24x3P	13	108	13.5	36
	101	30	M24x3P	13	203	13.5	36
custom-made							

unit :mm

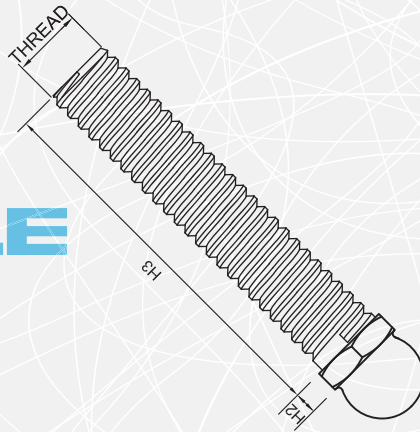


Material

LEVELING FEET

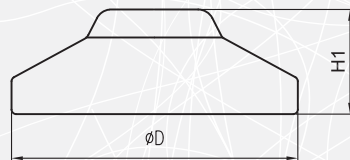
STANDARD SWIVEL TYPE

SPINDLE



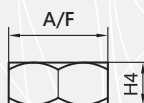
Stainless Steel
Steel Galvanized
Steel with plated Zinc Yellow
and others by request

PLATE



Stainless Steel
Steel Galvanized
Steel with plated Zinc Yellow
Aluminum Alloy
POM
Nilon
and others by request

NUT



Stainless Steel
Steel Galvanized
Steel with plated Zinc Yellow
and others by request

S a m p l e s

LEVELING FEET

STANDARD SWIVEL TYPE

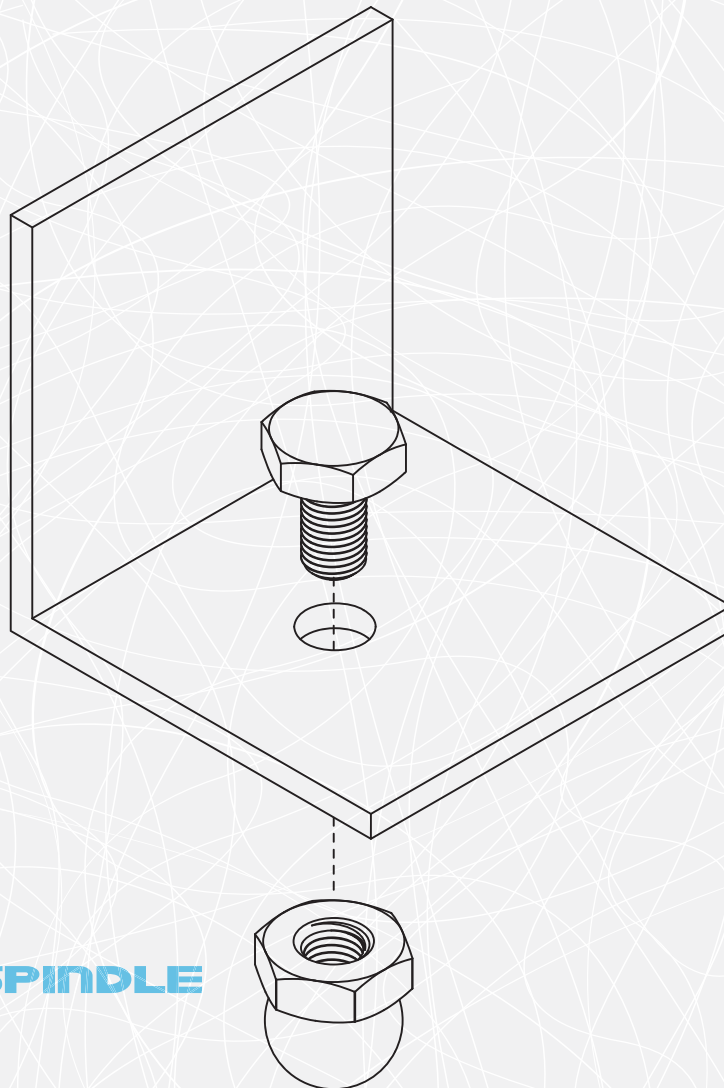


Optional spindle

LEVELING FEET

OPTIONAL SWIVEL TYPE

SHORT SPINDLE



Short Spindles are fit for directly affixing foot plates by standard inserts/ attachments where leveling is not necessary.

Dimensions are also available by request.

Optional Plate

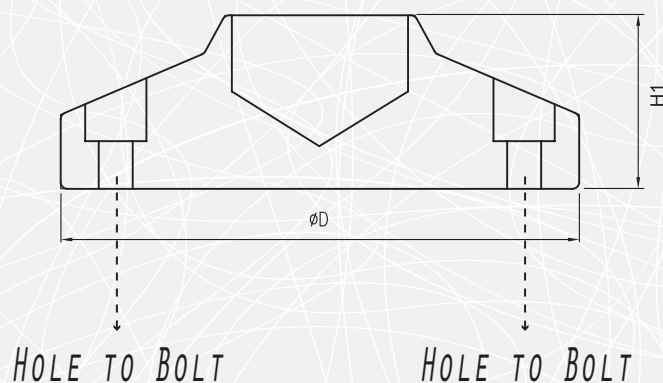
LEVELING FEET

OPTIONAL SWIVEL TYPE

WITH HOLES TO BOLT

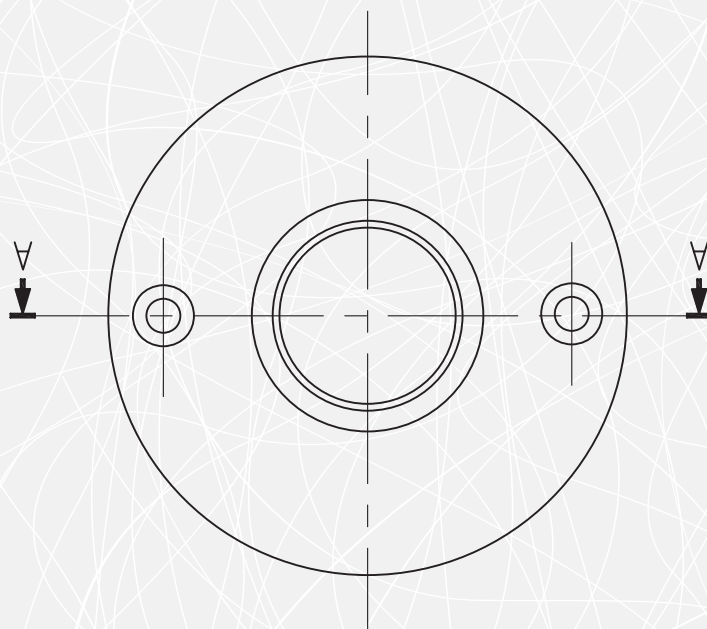
SECTION

VIEW



TOP

VIEW



Optional Plate with holes to bolt allows you fixing leveling feet on the surface you may need.

Dimensions of holes are also available by request.

Optional Plate

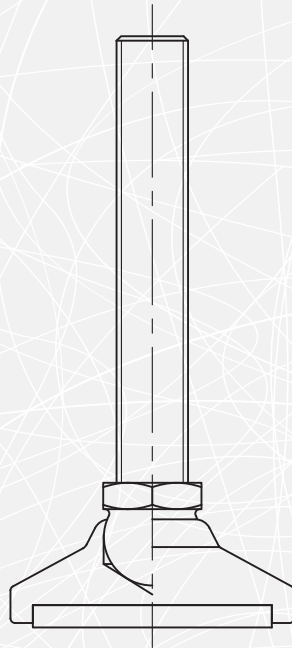
LEVELING FEET

OPTIONAL SWIVEL TYPE

WITH ANTI-VIBRATION RUBBER PAD

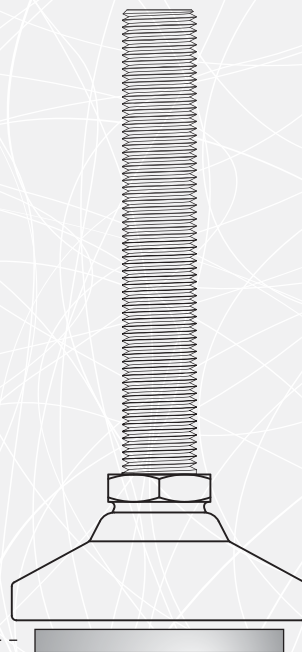
SECTION

VIEW



RUBBER

PAD



Optional Plate with anti-Vibration Rubber Pad provides vibration isolation and shock attenuation.

Specification

LEVELING FEET

STANDARD NON-SWIVEL TYPE

Model	Base Plate		Spindle Size			Nut	
	ΦD	H1	Thread	H2	H3	H4	A/F
	19	8.7	#10-32	3.1	25.4	3.1	9.5
	25	11.5	#1/4-20	4.5	31.7	4	12.7
	31.5	15	#3/8-16	5.9	50.8	4	15.8
	31.5	15	#3/8-16	5.9	101.6	4	15.8
	31.5	15	M10x1.5P	5.9	50	4	15.8
	31.5	15	M10x1.5P	5.9	100	4	15.8
	31.5	15	#5/16-18	5.9	50.8	4	15.8
	47.6	20	#1/2-13	6.6	50.8	9.5	19
	47.6	20	#1/2-13	6.6	101.6	9.5	19
	47.6	20	M12x1.75P	6.6	50	9.5	19
	47.6	20	M12x1.75P	6.6	100	9.5	19
	63	23	#5/8-11	5.9	50.8	9.5	22
	63	23	#5/8-11	5.9	101.6	9.5	22
	63	23	M16x2P	5.9	50	9.5	22
	63	23	M16x2P	5.9	100	9.5	22
	76	25.5	#3/4-10	9.1	50.8	10.5	27
	76	25.5	#3/4-10	9.1	101.6	10.5	27
	76	25.5	M20x2.5P	9.1	50	10.5	27
	76	25.5	M20x2.5P	9.1	100	10.5	27
	101	30	#1-8	13	108	13.5	36
	101	30	#1-8	13	203.2	13.5	36
	101	30	M24x3P	13	108	13.5	36
	101	30	M24x3P	13	203	13.5	36
custom-made							

unit :mm

